

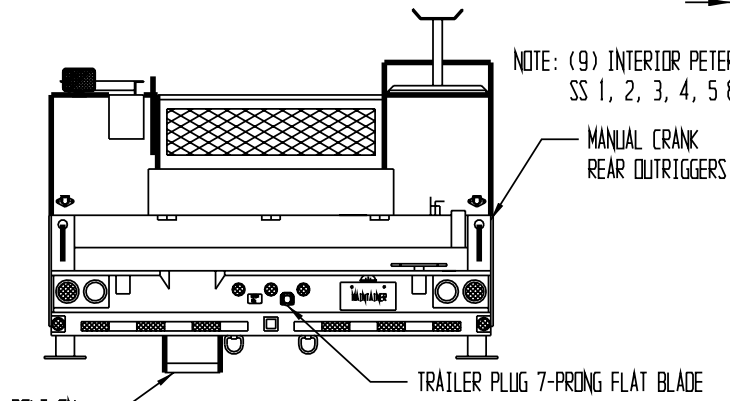
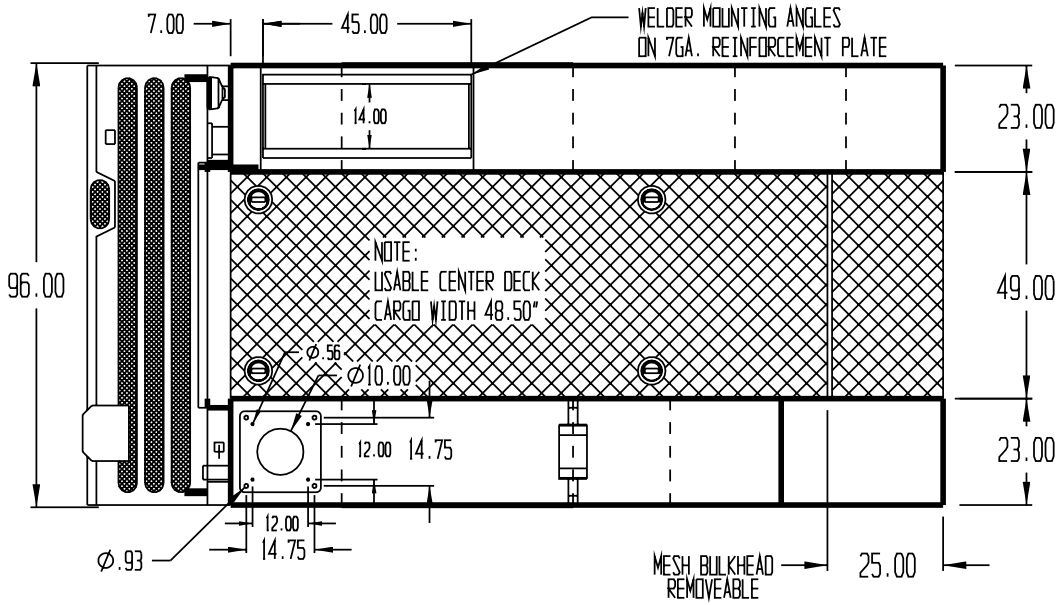
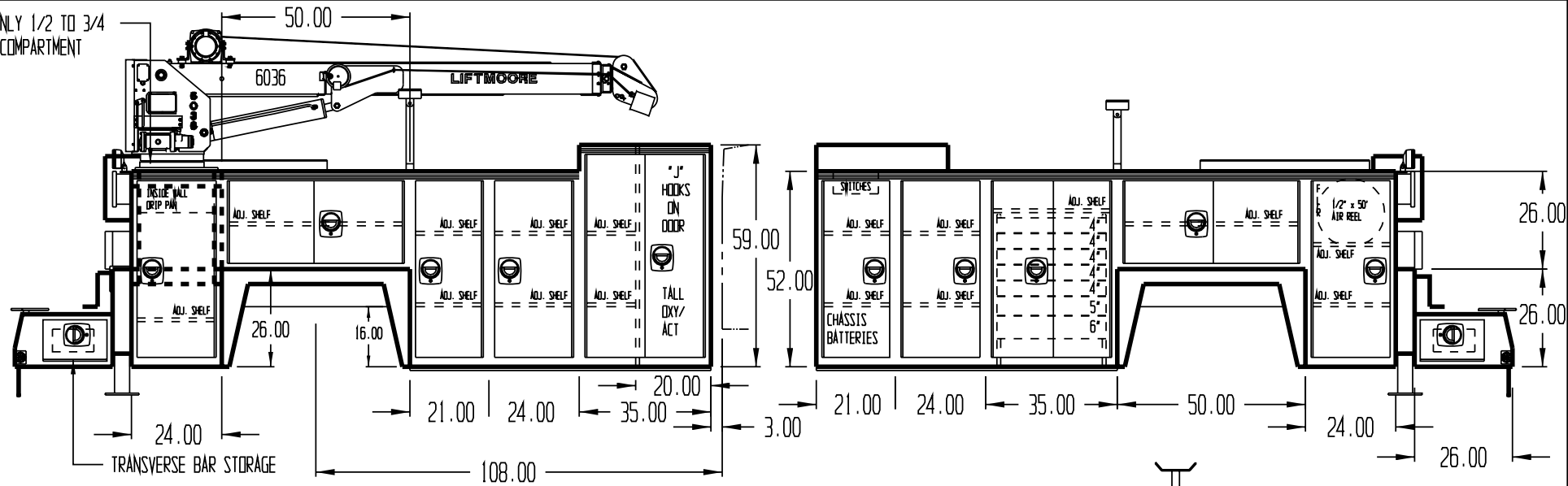
APPROVED BY: _____

DATE: _____

PAINT CODE: YZ FORD WHITE _____

WELDER TYPE: MILLER _____

MOUNT PLATE ONLY 1/2 TO 3/4 ABOVE TOP OF COMPARTMENT



NOTE: (9) INTERIOR PETERSON LIGHTS #391 SS 1, 2, 3, 4, 5 & CS 2, 3, 4, 5

NOTE: 4" CROSSMEMBERS AND 6" MAINSTILLS

PLEASE REPORT ANY ERRORS FOUND ON THIS PRINT

THIS PRINT CONTAINS CONFIDENTIAL INFORMATION AND IS THE SOLE PROPERTY OF MAINTAINER CORP. OF IOWA INC. AND IS NOT TO BE COPIED OR REPRODUCED WITHOUT THE EXPRESSED WRITTEN PERMISSION OF MAINTAINER CORP. OF IOWA INC.		PROPRIETARY DATA PROPERTY OF MAINTAINER CORPORATION OF IOWA, INC.	
MATERIAL:		COPYRIGHT © 2001	
LDS DIMENSIONS ARE IN INCHES		Thaintainer	
GENERAL TOLERANCES		Corporation of Iowa, Inc.	
BREAK ALL EDGES .01 X 45°	ANGULAR ± 1° .XX ± .03 .XXX ± .005	SCALE: 1:32	SIZE: B
LDS RADI	LDS ANGLES	DRAWING NUMBER: Y434-3	DFTM. KJB DATE: 9-11-07
MADE IN THE USA		1.5-108 HOUSTON AUTOMOTIVE GROUP 6168	